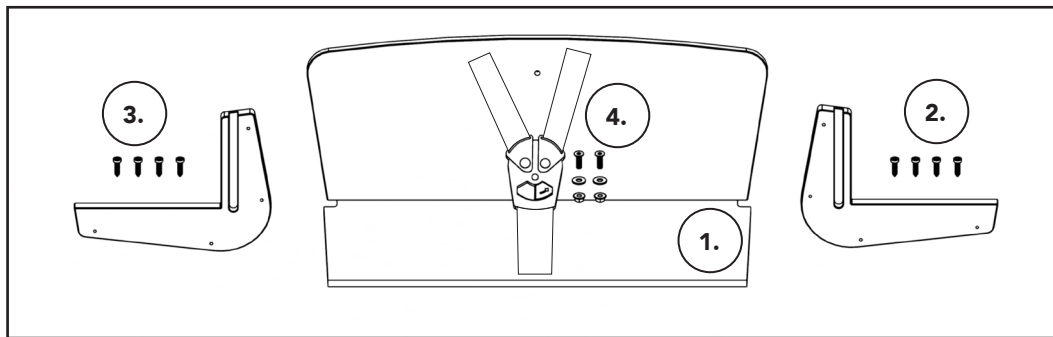


0. Overview of the parts



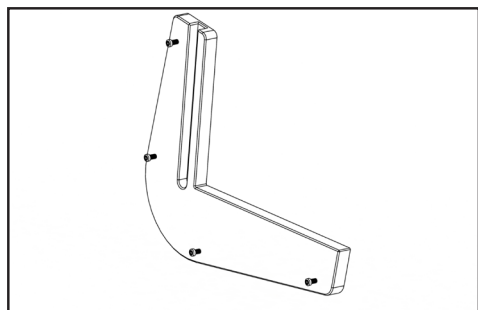
1. Bench

2. Right side panel

3. Left side panel

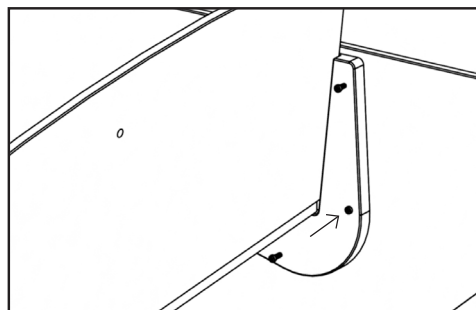
4. Seat belt

Step 1. Put the screws in the side panels



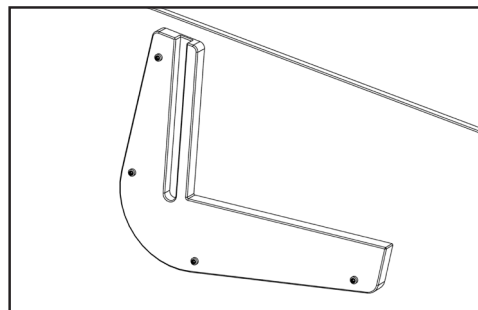
Put the screws halfway in the left and right panel (2/3).

Step 2. Position the side panels



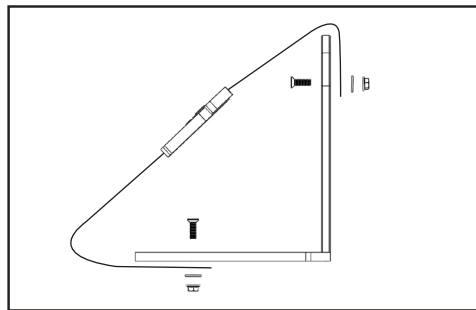
Assemble the bench + side panels. Align the best position of this assembly in the box and tighten the rear screw. Before you tighten the other side check if the alignment is correct.

Step 3. Mount the side panels



Remove the bench from the side panels and tighten the remaining screws.

Step 4. Mount the seat belt



Mount the seat belt with the included screws.